

# AL heavy duty

RAL 3002 5012 7040

## GALVANIZED AND POWDER COATED STRUCTURE / STRUTTURA ZINCATA E VERNICIATA

ø 410 mm  
drum/tamburo

optional page 88-93

**INLET HOSE**

**ALCS20**

**ALSG20R**

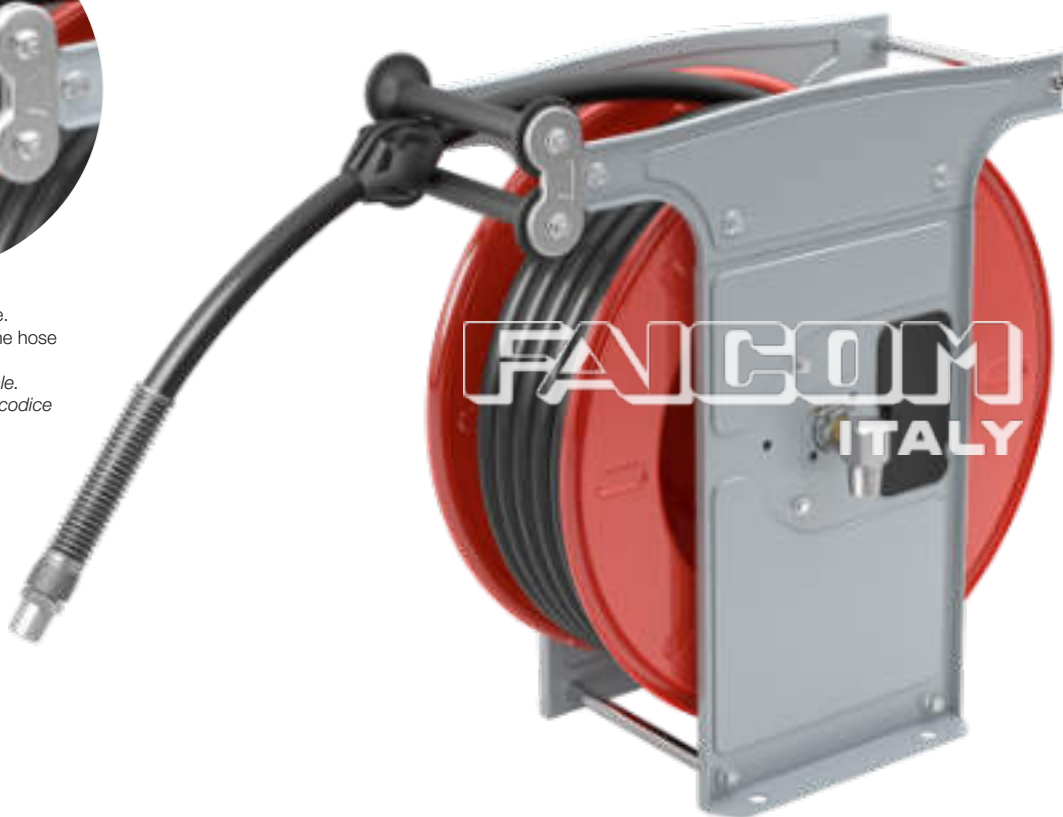


II 2G/D  
optional

ordering the "ATEX" version indicating the hose reel code preceded by "EX"  
*ordinare la versione "ATEX" indicando il codice dell'avvolgitubo preceduto da "EX"*



**4R** - Optional 4-roller hose guide.  
Ordering the version indicating the hose reel code followed by "4R"  
**4R** - Guida tubo a 4 rulli opzionale.  
*Ordinare la versione indicando il codice dell'avvolgitubo seguito da "4R"*



**EN** Automatic hose reels suitable for the distribution of fluids at different pressure and temperature conditions. The parts in contact with the fluid have metal details and high-quality gaskets. The hose-guide support can be mounted in two different positions according to the hose reel installation (pos. A-B). Optional: connection hose, revolving stand, 4-roller hose-guide, fixing bracket.

**FR** Enrouleurs automatiques adaptés pour distribuer des fluides en différentes pressions et températures. Composants en contact avec le fluide constitués de pièces métalliques et de joints de haute qualité. Support guide-tuyau applicable en 2 positions différentes pour permettre l'installation souhaitée (pos. A-

B). En option: tuyau de connexion, support pivotant, guide tuyau 4 rouleaux, contre-étrier de fixation.

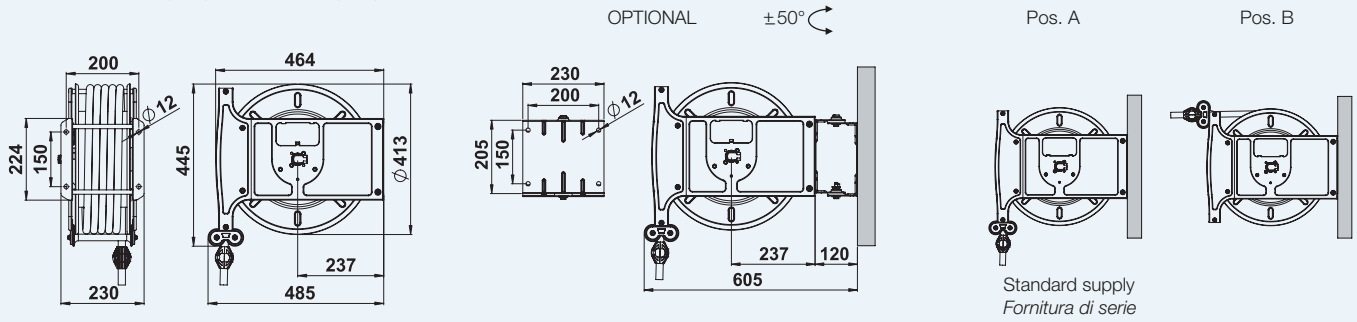
**DE** Schlauchaufroller zur Abgabe von versch. Flüssigkeiten untersch. Betriebstemperaturen und -drücke. Teile mit Kontakt von Flüssigkeiten aus spez. Metallen und Dichtungen hoher Qualität. Wandbefestigung für 2 versch. Positionen (s.Abb. A-B). Optional: Verbindungsschlauch, Schwenkkonsole, Schlauchführung mit 4 Rollen und Wandbefestigung.

**ES** Enrolladores automáticos ideados para distribuir fluidos en diversas condiciones de presión y temperatura. Componentes en

contacto con el fluido constituidos por partes metálicas y guarniciones de alta calidad. Soporte guía manguera aplicable en dos diversas posiciones para permitir la instalación deseada (pos. A-B). Opcional: manguera de conexión, soporte giratorio, guía manguera de 4 rodillos, sujeción para fijación.

**IT** Avvolgitubo automatici adatti per distribuire fluidi a diverse pressioni e temperature. Parti a contatto con il fluido costituite da particolari metallici e guarnizioni di elevata qualità. Supporto guidatubo applicabile in due diverse posizioni per consentire l'installazione desiderata (pos. A-B). Optional: tubo di collegamento, supporto girevole, guidatubo a 4 rulli, controstaffa di fissaggio.

Dimensions (mm) / Dimensioni (mm)



Hose reels model AL without hose / Avvolgitubo modello AL senza tubo

Fluid Fluido	Max. pressure Pressione max.	Code Codice	Inlet (Bsp) Entrata (Gas)	Outlet (Bsp) Uscita (Gas)	Capacity Capacità	Weight (kg) Peso (kg)	ATEX
Air/Aria Water/Acqua Oil/Olio	60 bar/870 psi	AL603820ST	3/8" F	3/8" M	20 m/65 ft	19	•
		AL601220ST	1/2" M	1/2" M	20 m/65 ft	19	•
Air/Aria	18 bar/260 psi	AL183825ST	3/8" F	3/8" M	25 m/80 ft	19	•
Grease/Grasso	400 bar/5800 psi	AL4G1420ST	1/4" F	1/4" M	20 m/65 ft	19	•
		AL4G3820ST	3/8" F	3/8" M	20 m/65 ft	19	•
Water/Acqua 150°C	400 bar/5800 psi	AL4H3820ST	3/8" F	3/8" M	20 m/65 ft	19	•
		*AL4H3820STMX	3/8" F	3/8" M	20 m/65 ft	19	•

\* With stainless steel swivel and shaft / Con giunto e mozzo in acciaio inox

◇ Variable indicative values according to the type of hose / Valori indicativi variabili in base alla tipologia di tubo

Hose reels model AL with hose / Avvolgitubo modello AL completi di tubo

Fluid Fluido	Pressure - Hose Pressione - Tubo	Code Codice	Inlet (Bsp) Entrata (Gas)	Outlet (Bsp) Uscita (Gas)	Hose diam. Tubo diam.	Hose length Lungh. Tubo	Weight (kg) Peso (kg)	Inlet hose Tubo entrata	ATEX
Oil/Olio	60 bar/870 psi 1SC Rubber/Gomma	AL603820	3/8" F	3/8" M	3/8"	20 m/65 ft	27	TC38005	
		AL601220	1/2" M	1/2" M	1/2"	20 m/65 ft	27	TC12005	•
Grease/Grasso	400 bar/5800 psi 2SN/2SC Rubber/Gomma	AL4G1420	1/4" F	1/4" M	1/4"	20 m/65 ft	27	TC14005	
		AL4G3815	3/8" F	3/8" F	3/8"	15 m/50 ft	26	TC38005G	•
Water Acqua 150°C	250 bar/3625 psi 1SC Hydro blue	AL2H3820	3/8" F	3/8" M	3/8"	20 m/65 ft	27	TC38005H	
		AL4H3820	3/8" F	3/8" M	3/8"	20 m/65 ft	28	TC38005H	•
		AL4H5120	3/8" F	3/8" M	5/16"	20 m/65 ft	27	TC38005H	