

# Series V-6000

### To handle single 1" I.D. hose.

- Rugged, industrial-duty construction.
- Choose gear-driven crank rewind or chain and sprocket drive powered by an electric, hydraulic or compressed air motor.
- Crank rewind reels supplied with pinion brake; power rewind reels with a strap brake.
- Standard inlet: 90° #304 stainless steel ball bearing swivel joints, 1" female NPT threads.
- Standard outlet: 1" female NPT threads.
- Standard inlet, outlet riser, and hub assembly are stainless steel. Optional aluminum swivel joint is available.
- One-piece welded hub assembly.
- Optional rollers are available.
- Standard pressures to 1000 psi (69 bar).
- Temperatures from -40°F to +250°F (-40°C to +121°C).
- Chain guard available upon request, must be specified.



Electric rewind  
Standard  
configuration with  
V-EPJ option shown



Optional Assembly  
C2 roller top wind  
and auxiliary rewind  
shown



### Optional Auxiliary Rowind

Ring and pinion shaft rewind unit  
with removable crank handle.

# Series V-6000

**PARTS DRAWING – ISO 84**

Model Number <small>For power rewind see Note 5</small>	Hose Capacity of Reel feet / m		Approx. Weight Crank Rewind lb. / kg <small>see Note 4</small>		Reel Dimensions*** in. / mm									
	I.D. in. mm	1 25	NET	SHIP	A	B	D	E	F CRANK	F POWER	G	H	X	Y
V-6024-19-21	60	1	85	127	21	15.5	20.5	18.75	25.38	30	21.5	12.12	13	16.75
	18		39	58	533	394	521	476	645	762	546	308	330	425
V-6032-19-21	85	1	102	144	29.5	24	20.5	18.75	33.88	38.5	21.5	12.12	21.5	16.75
	28		46	65	749	610	521	476	861	978	546	308	546	425
V-6024-23-24	100	1	92	134	21	15.5	20.5	22.75	25.38	30	23.5	12.12	13	16.75
	30		42	61	533	394	521	578	645	762	597	308	330	425
V-6030-23-24	150	1	105	147	27.5	22	20.5	22.75	31.88	36.5	23.5	12.12	19.5	16.75
	46		48	67	699	559	521	578	810	927	597	308	495	425
V-6038-23-24	175	1	120	162	35	29.5	20.5	22.75	39.38	44	23.5	12.12	27	16.75
	53		54	73	889	749	521	578	1000	1118	597	308	686	425
V-6016-25-26	60	1	88	130	13	7.5	25.5	24.75	17.38	22	27.88	15.5	7.75	21.75
	18		40	58	330	191	648	629	441	559	708	394	197	552
V-6022-25-26	100	1	100	142	19	13.5	25.5	24.75	23.38	28	27.88	15.5	11	21.75
	30		45	64	483	343	648	629	594	711	708	394	279	552
V-6028-25-26	175	1	113	155	25.5	20	25.5	24.75	29.88	34.5	27.88	15.5	17.5	21.75
	53		51	70	648	508	648	629	759	876	708	394	445	552
V-6018-30-31	125	1	101	151	15	9.5	25.5	28.75	19.38	24	29.88	15.5	7	21.75
	38		46	68	381	241	648	730	492	610	759	394	178	552
V-6024-30-31	175	1	113	163	21	15.5	25.5	28.75	25.38	30	29.88	15.5	13	21.75
	53		51	74	533	394	648	730	645	762	759	394	330	552
V-6028-30-31	250	1	121	171	25.5	20	25.5	28.75	29.88	34.5	29.88	15.5	17.5	21.75
	76		55	78	648	508	648	730	759	876	759	394	445	552
† V-6030-30-31	275	1	125	175	27.5	22	25.5	28.75	31.88	36.5	29.88	15.5	19.5	21.75
	84		57	79	699	559	648	730	810	927	759	394	495	552
† V-6028-33-34	300	1	129	179	25	20	31.5	31.75	29.62	34.25	33.62	17.75	17.5	27.75
	91		59	81	635	508	800	808	752	870	854	451	445	705

**Notes:**

- Specifications subject to change.
- Upon request, reels can be supplied with drum lengths other than shown and with disc sizes in other diameters.
- Dimensions shown for reels up to and including 30-31 disc size reflect pressed frames. All others are rollformed channel frames.
- Weights shown in chart are for crank rewind models. Prefix model number with V. ADD these amounts for power rewind models:

	Net lbs./kg	Ship lbs./kg
Electric 1/2 HP	40/18.1	40/18.1
Hydraulic	20/9.1	20/9.1
Air	20/9.1	20/9.1

- When ordering power rewind models, replace prefix V with:
  - V-A = Air Rewind—Supplied with control valve and 1/8" air hose.
  - V-EP1 = Explosion-Proof Electric Rewind (1/2 HP)—12v and 24v DC rewind reels supplied with explosion-proof switch, solenoid, and junction box. 115v AC rewind reels supplied with explosion-proof switch and junction box.
  - V-HD = Hydraulic Rewind—not supplied with control valve.

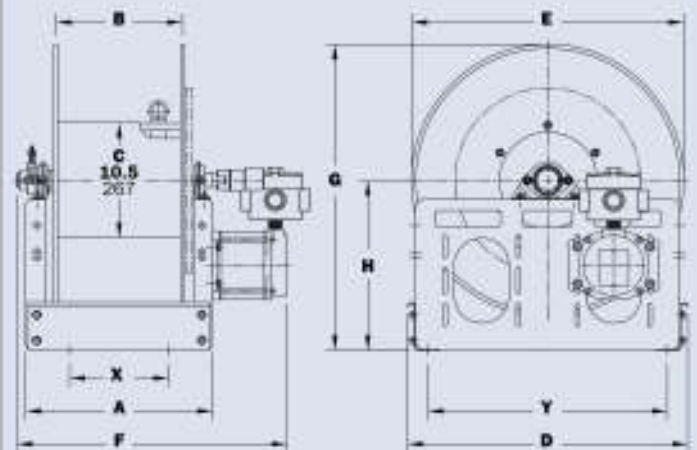
6. **Finish:** Refer to page 2.

7. **Be sure to check dimensions and weights prior to ordering.**

**NOTICE:** A flexible connector must be used between the inlet pipe and the inlet swivel joint.

\*\*\* X, Y indicate mounting holes. See page 2.

† Some applications require a manual clutch/reduction unit (consult factory).



Power rewind shown