

Series 6000

- Fuel Dispensing (Consult Factory)
- Fire Protection
- Spray Operations
- Water Blasting*
- Sewer Cleaning*

PARTS DRAWING – ISO 84

Model Number <small>For power rewind see Note 5</small>	Hose Capacity of Reel feet / m				Approx. Weight Crank Rowind lb. / kg <small>see Note 4</small>		Reel Dimensions* ** in. / mm									
	I.D. in. mm	1/2 13	3/4 19	1 25	NET	SHIP	A	B	D	E	F CRANK	F POWER	G	H	X	Y
	O.D. in. mm	7/8 22	1-1/32 33	1-1/2 38												
6024-19-21	200	100	60	85	85	127	21	15.5	20.5	18.75	25.38	28.5	21.5	12.12	13	16.75
	81	30	18	30	30	58	533	394	521	476	645	724	546	308	330	425
6032-19-21	325	175	85	102	144	144	29.5	24	20.5	18.75	33.88	37	21.5	12.12	21.5	16.75
	99	53	26	46	46	65	749	610	521	476	861	940	546	308	546	425
6024-23-24	400	150	125	92	134	134	21	15.5	20.5	22.75	25.38	28.5	23.5	12.12	13	16.75
	122	46	38	42	42	61	533	394	521	578	645	724	597	308	330	425
6030-23-24	-	225	200	105	147	147	27.5	22	20.5	22.75	31.88	35	23.5	12.12	19.5	16.75
	-	68	61	48	48	67	899	559	521	578	810	889	597	308	495	425
6038-23-24	-	300	250	120	162	162	35	29.5	20.5	22.75	39.38	42.5	23.5	12.12	27	16.75
	-	91	76	54	54	73	889	740	521	578	1000	1080	597	308	686	425
6016-25-26	250	100	75	88	130	130	13	7.5	25.5	24.75	17.38	20.5	27.88	15.5	7.75	21.75
	76	30	23	40	40	59	330	191	648	629	441	521	708	394	197	552
6022-25-26	450	175	125	100	142	142	19	13.5	25.5	24.75	23.38	26.5	27.88	15.5	11	21.75
	137	84	38	45	45	64	483	343	648	629	594	673	708	394	279	552
6028-25-26	-	275	175	113	155	155	25.5	20	25.5	24.75	29.88	33	27.88	15.5	17.5	21.75
	-	84	53	51	51	70	648	508	648	629	759	838	708	394	445	552
6018-30-31	400	200	150	101	151	151	15	9.5	25.5	28.75	19.38	22.5	29.88	15.5	7	21.75
	122	61	46	46	46	68	381	241	648	730	492	572	759	394	178	552
6024-30-31	-	350	250	113	163	163	21	15.5	25.5	28.75	25.38	28.5	29.88	15.5	13	21.75
	-	107	76	51	51	74	533	394	648	730	645	724	759	394	330	552
6028-30-31	-	-	300	121	171	171	25.5	20	25.5	28.75	29.88	33	29.88	15.5	17.5	21.75
	-	-	91	55	55	78	648	508	648	730	759	838	759	394	445	552
†6028-33-34	-	-	400	129	179	179	25	20	31.5	31.75	29.62	32.75	33.62	17.75	17.5	27.75
	-	-	122	59	59	81	635	508	800	806	752	832	854	451	445	705

Notes:

- Specifications subject to change.
- Upon request, reels can be supplied with drum lengths other than shown and with disc sizes in other diameters.
- Dimensions shown for reels up to and including 30-31 disc size reflect pressed frames. All others are rollformed channel frames.
- Weights shown in chart are for crank rewind models. ADD these amounts for power rewind models.

	Net lbs./kg	Ship lbs./kg
Electric	40/18.1	40/18.1
Hydraulic	20/9.1	20/9.1
Air	20/9.1	20/9.1

- When ordering power rewind models, prefix model number with:
 - A** = Air Rowind - Supplied with control valve and 18" air hose.
 - EP** = Electric Rowind (1/2 HP) - 12v and 24v DC rewind reels are supplied with switch and solenoid; 115v AC rewind reels are not supplied with switch but can be ordered separately.
 - HD** = Hydraulic Rowind - Not supplied with control valve.

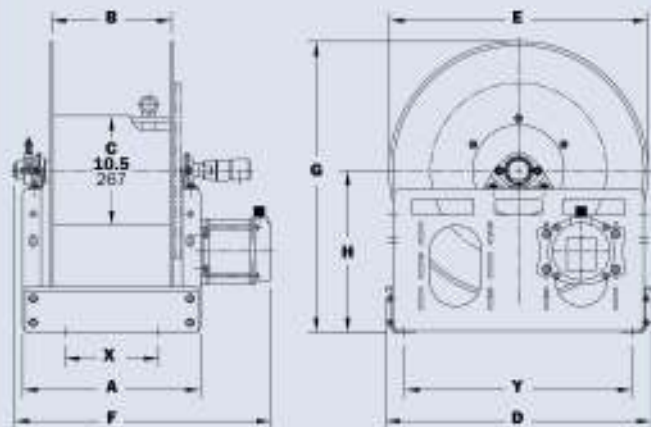
6. Finish: Refer to page 3.

7. Be sure to check dimensions and weights prior to ordering.

NOTICE: A flexible connector must be used between the inlet pipe and the inlet swivel joint.

*** X, Y indicate mounting holes. See page 5.

† Some applications require a clutch/reduction unit.



Power rewind shown