

Series N800

- Fuel Dispensing (Consult Factory)
- Waste Oil Evacuation • Air/Water

To handle 3/4" or 1" I.D. hose.

- Narrow frame and compact mounting base.
- Non-sparking ratchet assembly.
- Declutching arbor to prevent damage from reverse winding.
- Standard inlet: 90° balanced pressure swivel joint, 1" female NPT threads.
- Standard outlet: 1" female NPT threads.
- Standard pressures to 2000 psi (138 bar), available up to 6000 psi (414 bar) – must specify.
- Temperatures from -40°F to +250°F (-40°C to +121°C), optional temperatures to +400°F (+204°C) – must specify.
- 4-way roller assembly.
- SR and VR roller positions: swivel joint is standard on the right. TR roller positions: swivel joint is standard on the left. Other configurations available, must specify.
- Constant tension is available – consult factory.



PARTS DRAWING – ISO 81

Model Number	Hose Capacity of Reel feet m			Approx. Weight lb. kg			Standard Roller Assy.	Reel Dimensions*** in. mm							
	I.D. in. mm	3/4 19	1 25	NET	UPS Freight SHIP WT.	Freight SHIP WT.		A	B	C	E	F	G	H	X
	O.D. in. mm	1-9/32 35	1-1/2 38												
N816-19-20-10.5J	25 6	15 5	75 34	83* 38	110 50	N204	10 254	4 102	10.5 267	20.75 527	13 330	20 508	10.62 270	8 203	
†N818-23-24-10.5J	50† 15†	25† 8†	87 39	-	122 55	N206	12 305	6 152	10.5 267	23.75 603	15 381	24 610	12.62 321	10 254	
N816-25-26-10.5B	60 18	35 11	96 44	-	131 59	N204	10 254	4 102	10.5 267	25.25 641	13 330	26 660	13.62 346	8 203	
N818-25-26-10.5B	70 21	50 15	102 46	-	137 62	N206	12 305	6 152	10.5 267	26.25 641	15 381	26 660	13.62 346	10 254	

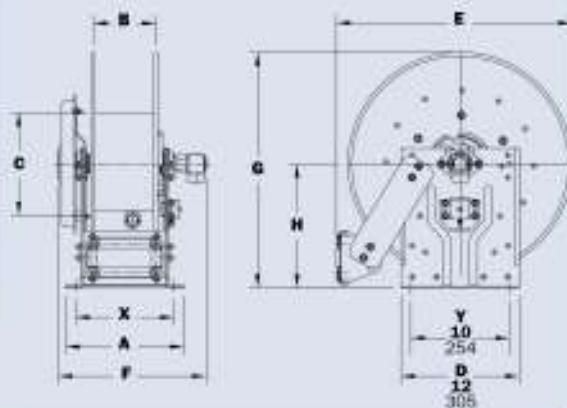
Notes:

A hose stop is necessary to keep spring from unwinding.

1. Specifications subject to change.
2. Reel models and capacities shown are for standard drag application for vertical lift applications. consult factory.
3. Other sizes, from standard components, available on request.
4. Finish: Refer to page 3.

5. Be sure to check dimensions and weights prior to ordering.

- NOTICE: A flexible connector must be used between the inlet pipe and the inlet swivel joint.
 *Dimensional weight may apply when shipped as a parcel package (via FedEx or UPS Ground).
 *** X, Y indicate mounting holes. See page 5.
 †Capacity based on low pressure air hose only.



Available Roller Positions

